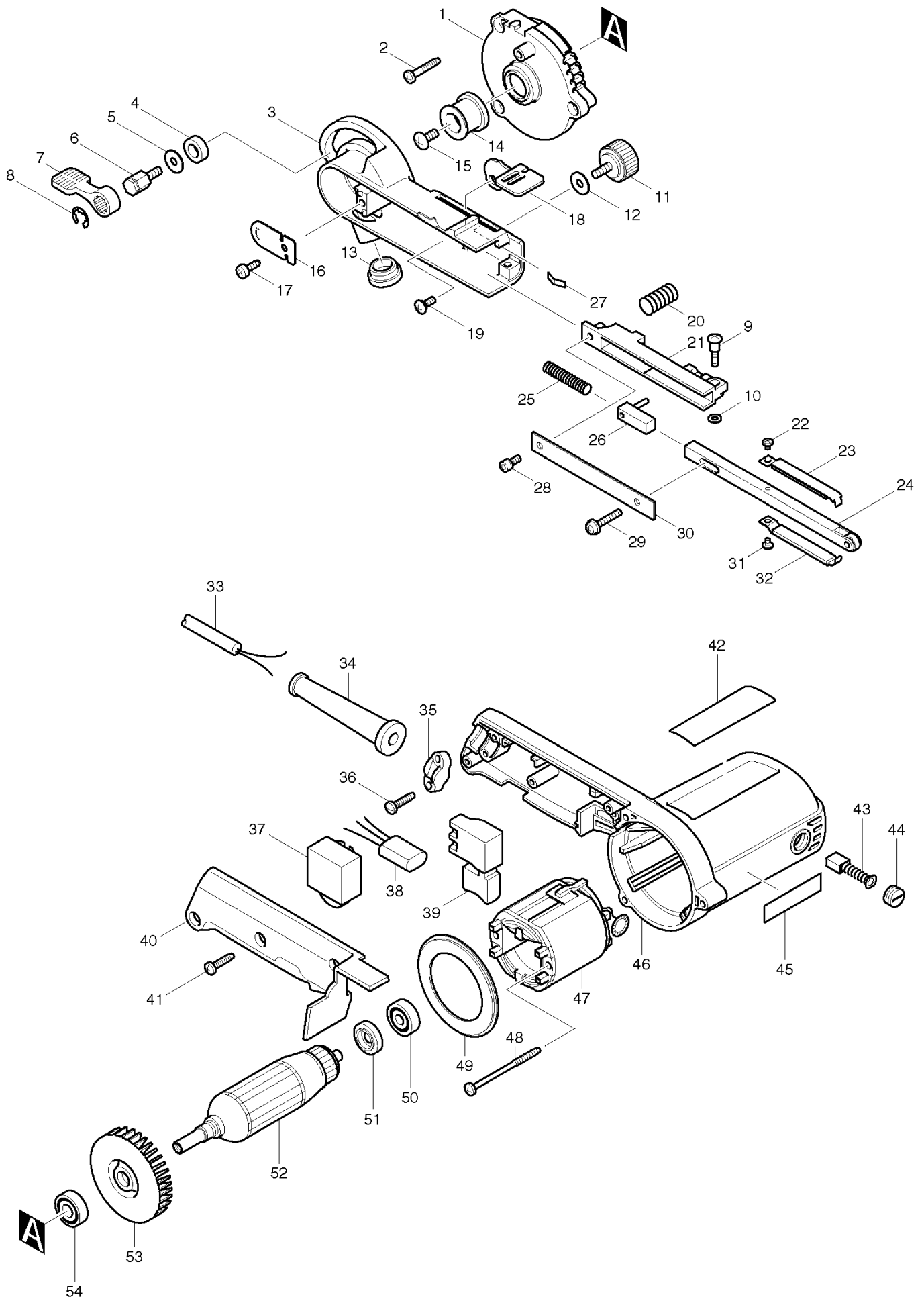


Nr.	Art nr.	Namn
1	317523-4	BRACKET
2	265999-8	TAPPING SCREW 4X25
3	153308-2	PULLEY COVER COMPLETE
4	257249-5	RING 9
5	253807-5	FLAT WASHER 5
6	265494-8	HEX. BOLT M5X13
7	272229-0	LEVER 40
8	961014-3	STOP RING E-8
9	265090-2	+ PAN HEAD SCREW M4X20
10	941052-1	FLAT WASHER 4
11	265751-4	THUMB SCREW M5X13
12	253807-5	FLAT WASHER 5
13	421198-4	CAP
14	317522-6	DRIVING ROLLER
15	265092-8	TRUSS HEAD SCREW M5X12
16	345196-3	SAFETY COVER
17	266026-4	TAPPING SCREW BIND CT 4X12
18	345197-1	CAM LEVER
19	265028-7	+ PAN HEAD SCREW M4X11
20	233333-0	COMPRESSION SPRING 10
21	317525-0	ARM HOLDER
22	265040-7	+ PAN HEAD SCREW M3X4
23	153314-7	SHOE 9 COMPLETE
24	153310-5	Hiomavarsi 9mm
25	233332-2	COMPRESSION SPRING 6
26	153312-1	ARM TENSIONER COMPLETE
27	232185-6	LEAF SPRING
28	922111-0	HEX. SOCKET HEAD BOLT M4X10
29	911138-5	PAN HEAD SCREW M4X20
30	345195-5	ARM COVER
31	265040-7	+ PAN HEAD SCREW M3X4
32	153314-7	SHOE 9 COMPLETE
33	665394-6	POWER SUPPLY CORD 1.0-2-2.5
34	682502-4	CORD GUARD 8-85
35	687052-4	STRAIN RELIEF
36	265995-6	TAPPING SCREW 4X18
37	631677-6	CONTROLLER
38	645209-3	NOISE SUPPRESSOR
39	651263-7	SWITCH SGEL206C
40	415635-8	HANDLE COVER
41	265995-6	TAPPING SCREW 4X18
42	853483-1	NAME PLATE 9032
43	191940-4	Hillet CB-411
44	643550-8	BRUSH HOLDER CAP 5-8
45	819063-3	MAKITA LABEL
46	159747-4	MOTOR HOUSING COMPLETE
47	599347-2	FIELD ASS'Y 230-240V
48	266052-3	TAPPING SCREW 4X60

---

49	415634-0	BAFFLE PLATE
50	210023-2	BALL BEARING 627DDW
51	681614-0	INSULATION WASHER
52	517389-4	ARMATURE ASS'Y 230-240V
53	241884-9	FAN 60
54	210005-4	BALL BEARING 608DDW



Nr.	Art nr.	Namn
1	317523-4	BRACKET
2	265999-8	TAPPING SCREW 4X25
3	153308-2	PULLEY COVER COMPLETE
4	257249-5	RING 9
5	253807-5	FLAT WASHER 5
6	265494-8	HEX. BOLT M5X13
7	272229-0	LEVER 40
8	961014-3	STOP RING E-8
9	265090-2	+ PAN HEAD SCREW M4X20
10	941052-1	FLAT WASHER 4
11	265751-4	THUMB SCREW M5X13
12	253807-5	FLAT WASHER 5
13	421198-4	CAP
14	317522-6	DRIVING ROLLER
15	265092-8	TRUSS HEAD SCREW M5X12
16	345196-3	SAFETY COVER
17	266026-4	TAPPING SCREW BIND CT 4X12
18	345197-1	CAM LEVER
19	265028-7	+ PAN HEAD SCREW M4X11
20	233333-0	COMPRESSION SPRING 10
21	317525-0	ARM HOLDER
22	265040-7	+ PAN HEAD SCREW M3X4
23	153314-7	SHOE 9 COMPLETE
24	153310-5	Hiomavarsi 9mm
25	233332-2	COMPRESSION SPRING 6
26	153312-1	ARM TENSIONER COMPLETE
27	232185-6	LEAF SPRING
28	922111-0	HEX. SOCKET HEAD BOLT M4X10
29	911138-5	PAN HEAD SCREW M4X20
30	345195-5	ARM COVER
31	265040-7	+ PAN HEAD SCREW M3X4
32	153314-7	SHOE 9 COMPLETE
33	665394-6	POWER SUPPLY CORD 1.0-2-2.5
34	682502-4	CORD GUARD 8-85
35	687052-4	STRAIN RELIEF
36	265995-6	TAPPING SCREW 4X18
37	631677-6	CONTROLLER
38	645209-3	NOISE SUPPRESSOR
39	651263-7	SWITCH SGEL206C
40	415635-8	HANDLE COVER
41	265995-6	TAPPING SCREW 4X18
42	853483-1	NAME PLATE 9032
43	191940-4	Hillet CB-411
44	643550-8	BRUSH HOLDER CAP 5-8
45	819063-3	MAKITA LABEL
46	159747-4	MOTOR HOUSING COMPLETE
47	599347-2	FIELD ASS'Y 230-240V
48	266052-3	TAPPING SCREW 4X60

---

49	415634-0	BAFFLE PLATE
50	210023-2	BALL BEARING 627DDW
51	681614-0	INSULATION WASHER
52	517389-4	ARMATURE ASS'Y 230-240V
53	241884-9	FAN 60
54	210005-4	BALL BEARING 608DDW